

ELTOMATIC

Complete solutions between meter and computer

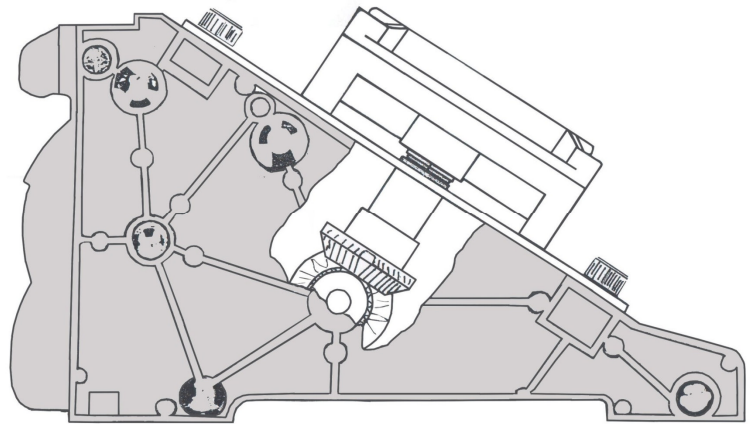
Kits for Mechanical Register

Kit version 1 for Mechanical Register

Shaft encoder type 01-08 for meter register without printer.

Kit comprising:

- 1 pcs shaft encoder type 01-08U with bracket no. 71.1007 and coupling no. 62.0098
- 2 pcs sealing screw M4x8 no 51.5000
- 2 pcs screw M4x8 no. 51.1048
- 4 pcs lock washer M4 no. 52.1540

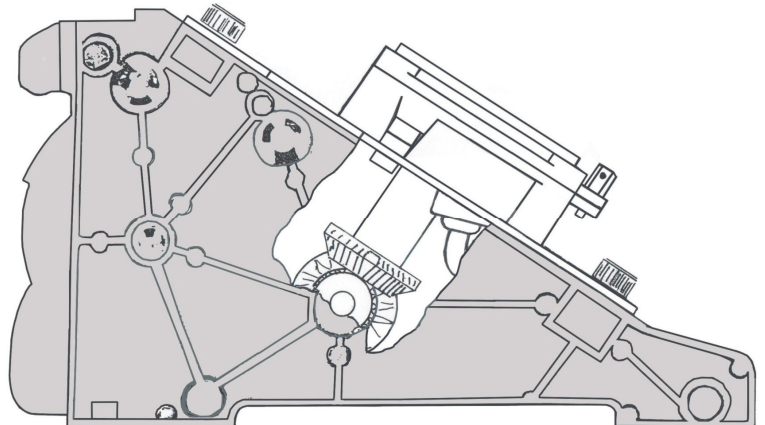


Kit version 2 for Mechanical Register

Shaft encoder type 01-09 for meter register without printer.

Kit comprising:

- 1 pcs shaft encoder type 01-09 with bracket no. 71.1007 and coupling no. 62.0162
- 2 pcs Hex-head screw M4x10 no.51.1530
- 2 pcs M4 nuts no. 53.0010
- 2 pcs Lock washers M4, no. 52.1540



Eltomatic A/S • Fabriksvej 6 • DK9490 Pandrup • Denmark

Phone +45 9824 6166 • Fax +45 9824 6310 • www.eltomatic.com • eltomatic@eltomatic.com

Kits for Mechanical Register

Eltomatic offers several solutions for upgrading a mechanical meter register by fitting it with an electronic interface. We have presently 4 kit versions in our programme.

Please note!

Not supplied are screws for mounting the shaft encoder/bracket/printer in the meter register and a rubber grommet for the shaft encoder cable entry into the meter register.

Configuration/Version	1	2	3	4
With Printer			•	
Without Printer	•	•		•
Kit with Shaft Encoder 01-09		•	•	•
Kit with Shaft Encoder 01-08	•			
Kit with reset microswitch				•

Kit version 3 for Mechanical Register

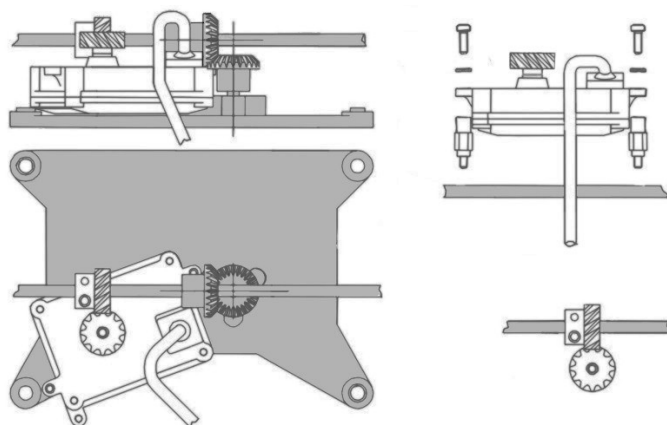
Shaft encoder type 01-09 for meter register with printer.

Kit comprising:

- 1 pcs shaft encoder type 01-09 with coupling no. 62.0071 and no.61.0505
- 1 pcs split gear no 61.1013
- 2 pcs screw plastite 3x12 no. 51.5502
- 2 pcs lock washer M4 no. 52.1540
- 2 pcs distance piece no. 64.0011
- 2 pcs screw M4x12 no. 51.1710

Other:

A drilling fixture is required (Drawing can be supplied on request)



Kit version 4 for Mechanical Register

Shaft encoder type 01-09 with reset microswitch for meter register without printer

Kit comprising:

- 1 pcs shaft encoder type 01-09 with bracket no.71.1027 and coupling no. 62.0162
- 1 pcs Micro switch no. 08.1105
- 1 pcs Cable connector rack no. 08.0508
- 4 Screw M3x16 no. 51.0203
- 4 pcs Lock washer no. 52.1502
- 4 pcs Nut M3 no. 53.0008
- 3 pcs Hex-head screw M4x10 no.51.1530
- 1 pcs Lock washer 4 mm no. 52.1540
- 3 pcs M4 Nut no.53.0010
- 1 pcs Terminal connector no. 08.0505

