

ELTOMATIC

Complete solutions between meter and computer

Electronic Flowmeter Interface



Eltomatic A/S • Fabriksvej 6 • DK9490 Pandrup • Denmark

Phone +45 9824 6166 • Fax +45 9824 6310 • www.eltomatic.com • eltomatic@eltomatic.com

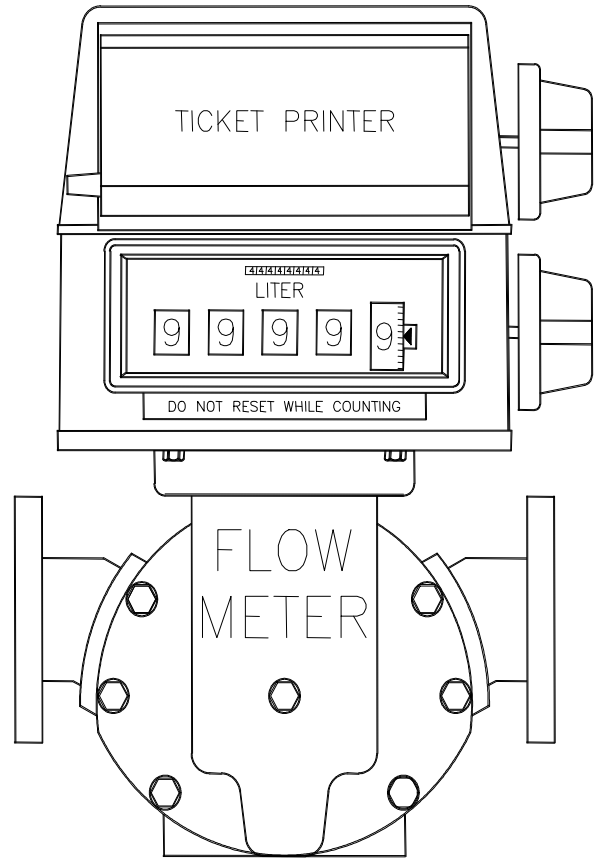
Easy and cost-effective

All over the world, in countless applications, liquid flow meters fitted with mechanical registers are being used to measure and record the transfer of liquids. In the petroleum industry especially, fast and accurate volumetric measurement during custody transfer has always been critical, second only in importance to safety.

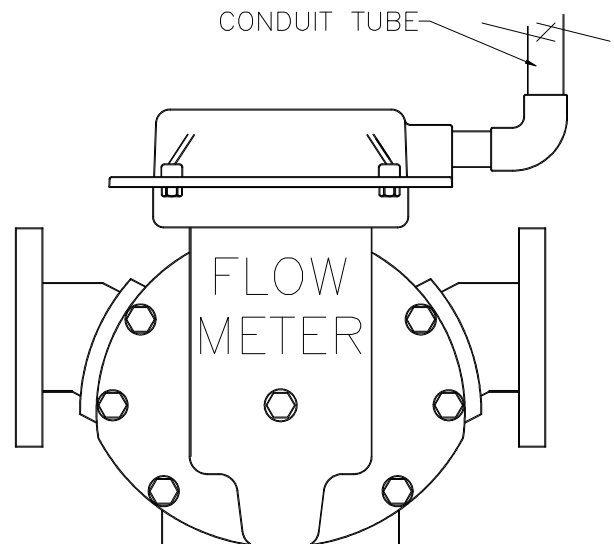
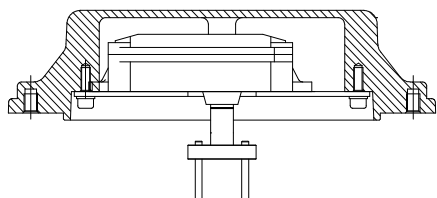
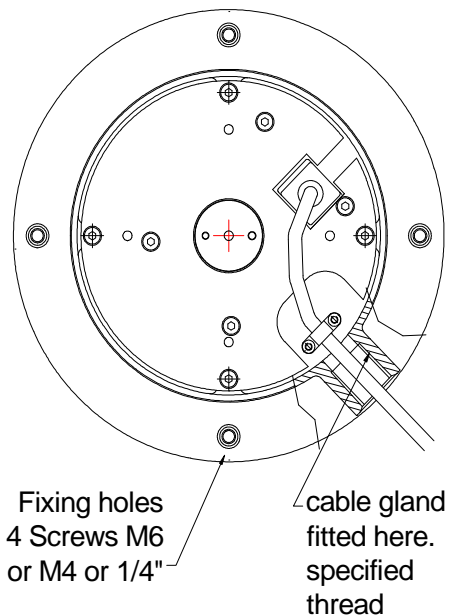
Nowadays, electronic systems are rapidly replacing the old mechanical registers, bringing with them a number of advantages. For example, an electronic encoder interface on a fuel truck meter, when coupled to an onboard computer and a GSM modul provides a fast and accurate electronic record that can be used in numerous applications, such as invoicing and logistics.

Eltomatic has developed a simple solution that allows you to quickly replace a mechanical register with an electronic encoder assembly. A sturdy aluminium housing with an Ex approved encoder mounted inside is easily attached to the flowmeter using only 4 bolts. The cable outlet on the housing can be threaded for a conduit tube or a cable gland. The type of thread can be specified. The encoders are also available with Ex approved armoured cable.

Encoder shaft couplings are available to suit most meters found on the market and the encoder electronic parameters can be specified to suit individual requirements as well as local and national Weights & Measures requirements.



Meter with mechanical interface



Meter with encoder interface